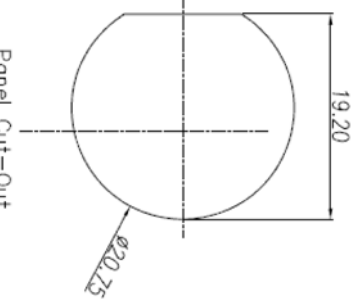
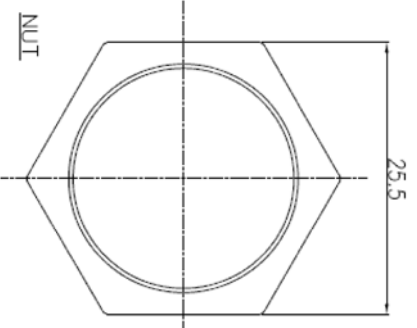
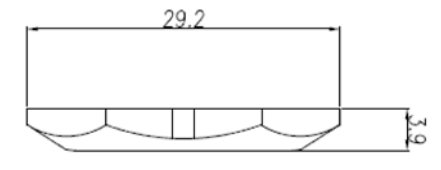
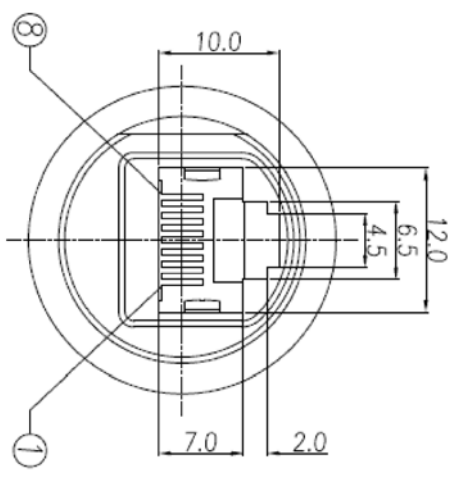
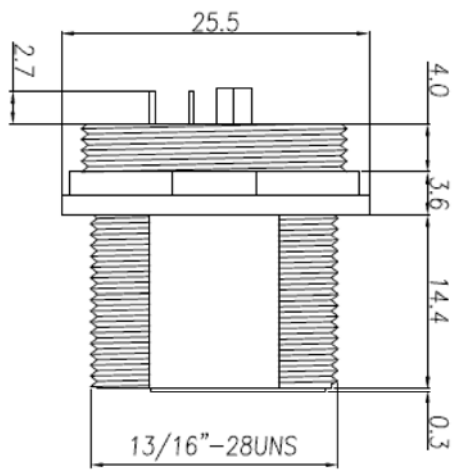
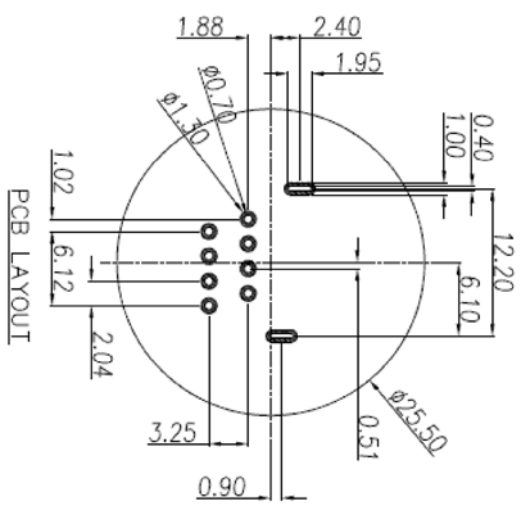


ROHS COMPLIANT

REV	ECO NO.	DATE	BY	APP'D
A	REL TO PRODUCTION PER ECO 001	8/24/22	KL	



- MATERIAL :
  - HOUSING : PBT UL94V-0 ; COLOR : BLACK.
  - CONTACT : PHOSPHOR BRONZE
  - SHELL : Zn ALLOY
  - GROUND : SUS 301
  - O-RING : EPDM ; COLOR : BLACK.
  - NUT : BRASS
  - EPOXY BASE : EFA400A&EFA400B. COLOR : BLACK.
- FINISH :
  - CONTACT : GOLD FLASH.
  - NUT : NICKEL PLTAE.D.
  - SHELL : NICKEL PLTAE.D.
- ELECTRICAL SPECIFICATION :
  - Rated current : 2A
  - Rated Voltage : 250V
  - Water proof : IPX7
- Environmental :
  - Operation Temperature : -25°C~+85°C

Tolerance	
.X	±0.25
.XX	±0.20
ang.	±3°

UNIT: mm

CONFIDENTIAL



© Copyright 2022 Regal Electronics, Inc. This drawing is the property of Regal Electronics and contains confidential information, trade secret information and/or know-how which is the property of Regal Electronics. By accepting this drawing, the recipient agrees not to provide, or otherwise make available, the drawing or any information or know-how embodied therein, to any third party without prior written authorization.

DRAWN: KIM	DATE: 8/24/22	TITLE: MODULAR JACK
CHECKED:	DATE:	8P8C DIP VERTICAL
ENGINEER:	DATE:	WATER PROOF IP67
APPROVED:	DATE:	
APPROVED:	DATE:	
APPROVED:	DATE:	
SCALE: NONE	DRAWING NO. B	SIZE: WP1003-8P8C
		REV: A

5 4 3 2 1

A B C D