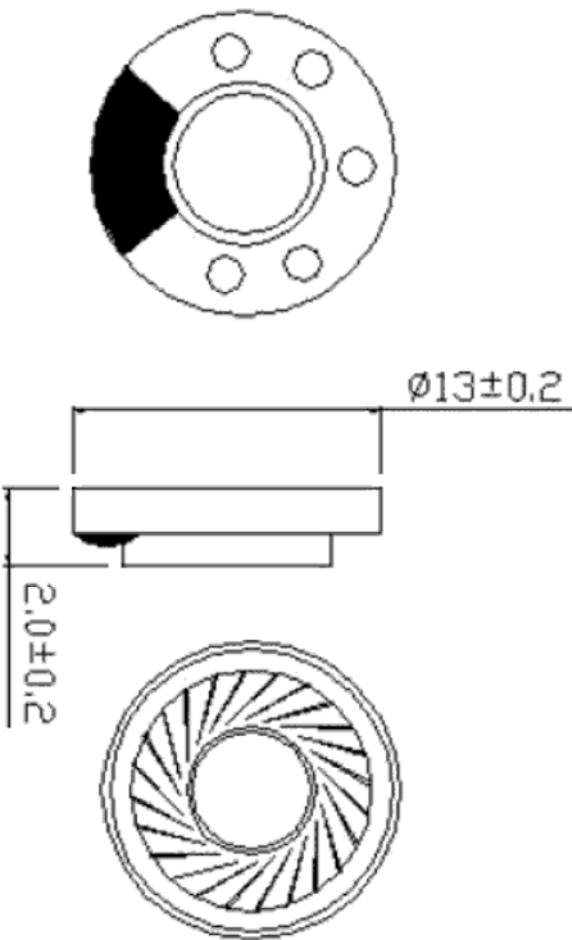


RoHS Compliant

REV	ECO NO.	DATE	BY	APP'D
A	REL TO PRODUCTION PER ECO 001	8/9/19	KL	



SPECIFICATIONS:

Rated Impedance: 8 Ohms ±15%
 Rated Power: 0.5W Max. 1.0W
 Resonant Frequency: 1100 ±20%
 Effective Freq. Range: fo - 20kHz
 SPL (at 0.1w, 0.1m) 90.8 ±3dB
 Operating Temp.: -20°C ~ +60°C

mylar cone
 Front side rating: IP67 (dust tight / waterproof)
 Requires mounting in IP67 rated enclosures

Tolerance: ±0.3mm

UNIT: mm

CONFIDENTIAL

© Copyright 2019 Regal Electronics, Inc. This drawing is the property of Regal Electronics and contains confidential information, trade secret information and/or know-how which is the property of Regal Electronics. By accepting this drawing, the recipient agrees not to provide, or otherwise make available, the drawing or any information or know-how embodied therein, to any third party without prior written authorization.

DRAWN:	KIM	DATE	8/9/19
CHECKED:		DATE	
ENGINEER:		DATE	
APPROVED:		DATE	
APPROVED:		DATE	
APPROVED:		DATE	

TITLE:		HIGH POWER MICRO SPEAKER	
SCALE:	NONE	DRAWING NO.	RH-13-EMNL67
SIZE:	B	REV	A
SHEET	1	of	1



C-RH-13-EMNL67