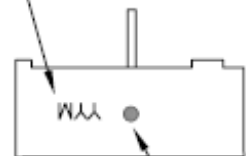


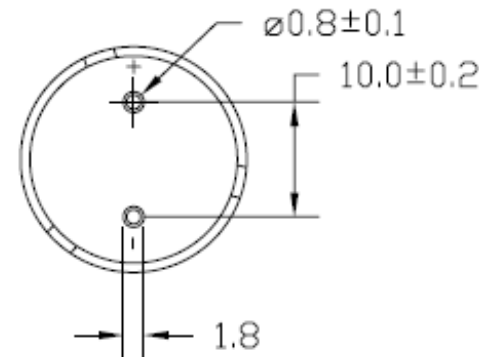
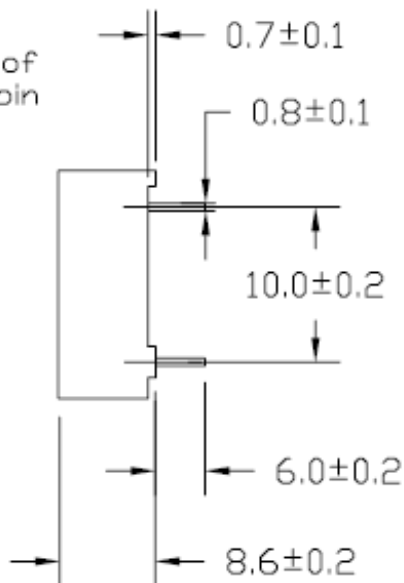
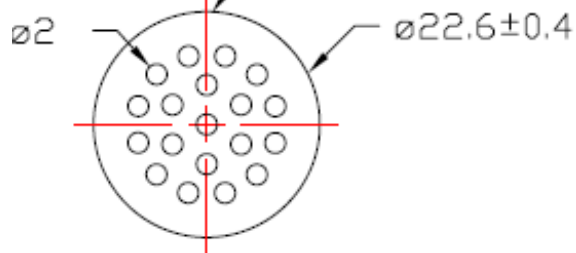
RoHS COMPLIANT

REV	ECO NO.	DATE	BY	APP'D
F	"•" IS ADDED ON SIDE PER ECO 006	7/02/07	KL	
G	ADD TOLERANCE PER ECO 007	3/11/08	KL	

DATE CODE: YYM
 L --- MONTH
 --- YEAR



White DOT on side of cover by positive pin



Tolerance
 x. ±0.4
 x.x ±0.25
 x.xx ±0.1 UNIT: mm

NOTE:
 Lead Free Testing Result
 Black plastic housing - 7ppm
 Pin - 74ppm
 Wire and solder - 20ppm

SPECIFICATION:

Rated Impedance	8 Ohms ±15%
Rated Power	0.1W Max. 0.3W
Resonant Frequency	1500Hz ±20%
Effective Freq. Range	500~4K Hz
SPL (at 0.1w, 0.1m)	80±3 dB
Operating Temperature	-30°C~+60°C
Storage Temperature	-40°C~+70°C

CONFIDENTIAL

© Copyright 2008 Regal Electronics, Inc. This drawing is the property of Regal Electronics and contains confidential information, trade secret information and/or know-how which is the property of Regal Electronics. By accepting this drawing, the recipient agrees not to provide, or otherwise make available, the drawing or any information or know-how embodied therein, to any third party without prior written authorization.



DRAWN: KIM	DATE 5/27/02	TITLE: PCB MOUNT SPEAKER	
CHECKED:	DATE		
ENGINEER:	DATE		
APPROVED:	DATE		
APPROVED:	DATE	SIZE B	DRAWING NO. RE-2308-NL
APPROVED:	DATE	SCALE: NONE	REV G
		SHEET 1 OF 1	

C-RE-2308-NL