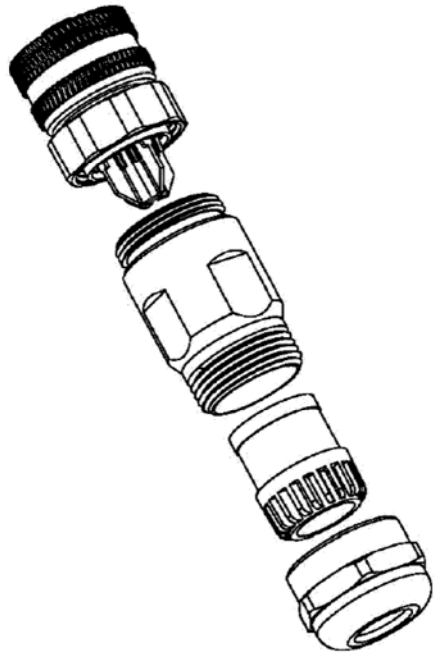
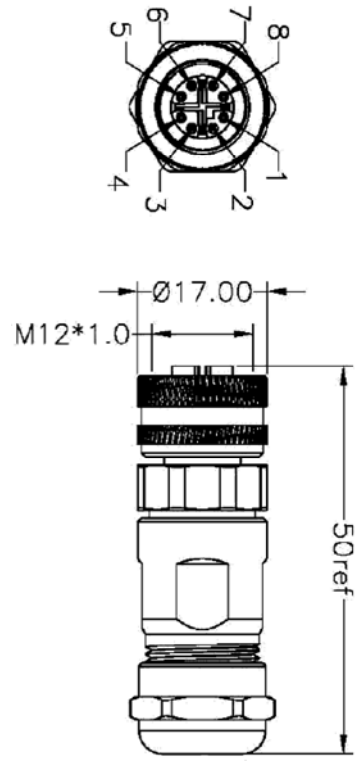


ROHS COMPLIANT

REV	ECO NO.	DATE	BY	APP'D
A	REL TO PRODUCTION PER ECO 001	10/23/17	KL	



Detailed Product Description:
 Waterproof connector rating is IP67/IP68
 Protected from dust and water during immersion,
 resistant to many oils and chemical etc

Electrical character
 Rating voltage: 48V AC/DC
 Insulation resistance: >100MΩ
 Rating current : 0.5A
 Contact resistance ≤5mΩ

Other Specification
 Contact Pin: Phosphor bronze with Gold plating 30u".
 Coupling nut/screw/shell: Brass with nickel plating
 Insulation plastic: PA66+GF&TPU
 Degree of protection: IP67/IP68
 Operating temperature: -25°C ~ +85°C

Tolerance
 .xx ±0.20
 ang. ±1°

UNIT: mm

CONFIDENTIAL



© Copyright 2017 Regal Electronics, Inc.
 This drawing is the property of Regal Electronics and contains confidential information, trade secret information and/or know-how which is the property of Regal Electronics. By accepting this drawing, the recipient agrees not to provide, or otherwise make available, the drawing or any information or know-how embodied therein, to any third party without prior written authorization.

DRAWN: KIM	DATE: 10/23/17	TITLE: M12 X-CODE FEMALE CONNECTOR WITH SHIELD
CHECKED:	DATE:	SIZE: B
ENGINEER:	DATE:	DRAWING NO. M12XC8A
APPROVED:	DATE:	SCALE: NONE
APPROVED:	DATE:	SHEET 1 of 1
APPROVED:	DATE:	REV A

5 4 3 2 1

A B C D