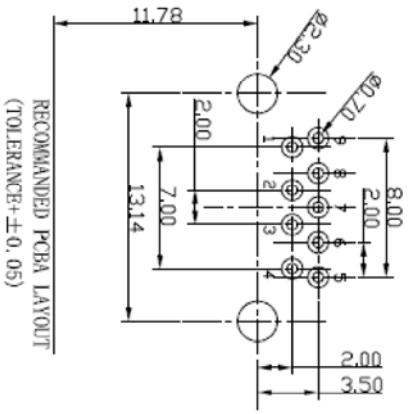
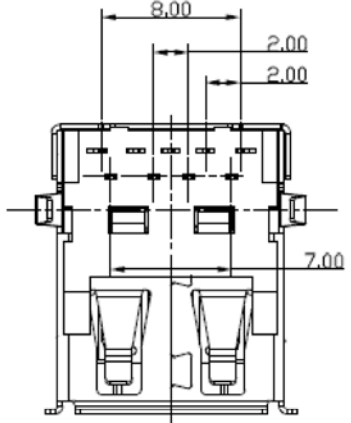
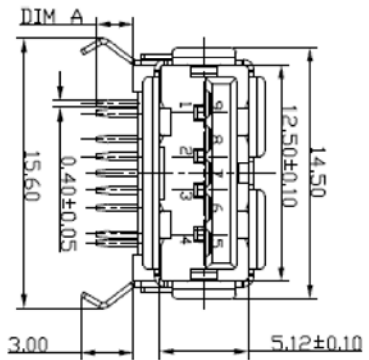
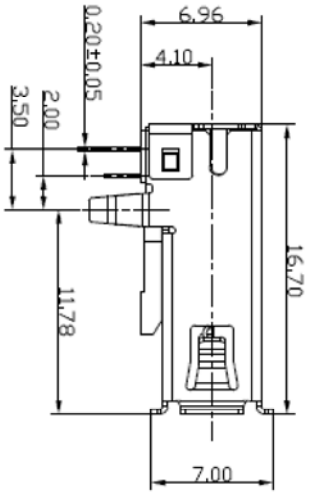
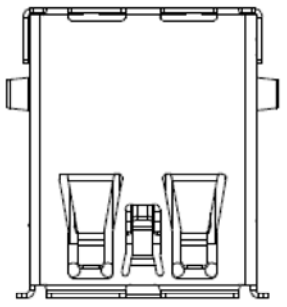


ROHS COMPLIANT



- NOTE:
- MATERIAL:
    - INSULATOR: HIGH TEMPERATURE PLASTIC
    - CONTACT: BRONZE
    - SHELL: BRASS
  - ELECTRICAL CHARACTERISTICS:
    - CONTACT RESISTANCE: 30mΩ MAX
    - CONTACT CURRENT RATING: 1.5A
    - DIELECTRIC WITHSTANDING VOLTAGE: 100 V R.M.S.
    - INSULATION RESISTANCE: 100 MΩ MIN
    - OPERATING TEMPERATURE: -10° C ~ 85° C
  - MECHANICAL CHARACTERISTICS:
    - MATING FORCE: 3.578gf MAX
    - UNMATING FORCE: 1.026gf MIN
    - DURABILITY-MANDATORY: 1,500 CYCLES
    - PLATING:
      - TERMINAL:
        - 50μ" MIN NICKEL ALL OVER
        - 100μ" MIN TIN ON SOLDER AREA
        - 30.0" Au ON CONTACT AREA
      - SHELL: 50μ" MIN NICKEL ALL OVER

Tolerance	±0.25
.xxx	±0.13
ang.	±1°

UNIT: mm

CONFIDENTIAL

© Copyright 2017 Regal Electronics, Inc. This drawing is the property of Regal Electronics and contains confidential information, trade secret information and/or know-how which is the property of Regal Electronics. By accepting this drawing, the recipient agrees not to provide, or otherwise make available, the drawing or any information or know-how embodied therein, to any third party without prior written authorization.

REV	ECO NO.	DATE	BY	APP'D
A	REL TO PRODUCTION PER ECO 001	1/6/17	KL	

DRAWN: KIM	DATE: 1/6/17	TITLE: USB 3.0 AF 90° DIP
CHECKED:	DATE:	
ENGINEER:	DATE:	
APPROVED:	DATE:	
APPROVED:	DATE:	
APPROVED:	DATE:	
SCALE: NONE	DRAWING NO. B R90SP3.0-A	REV A
SHEET 1 of 1		



5 4 3 2 1

A B C D