

5

4

3

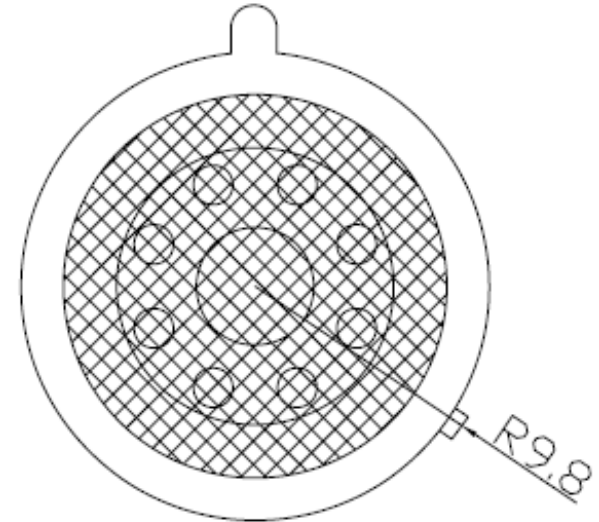
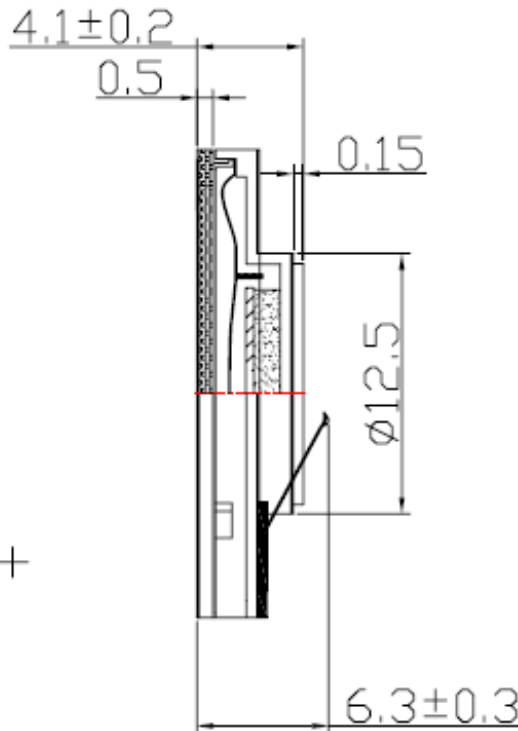
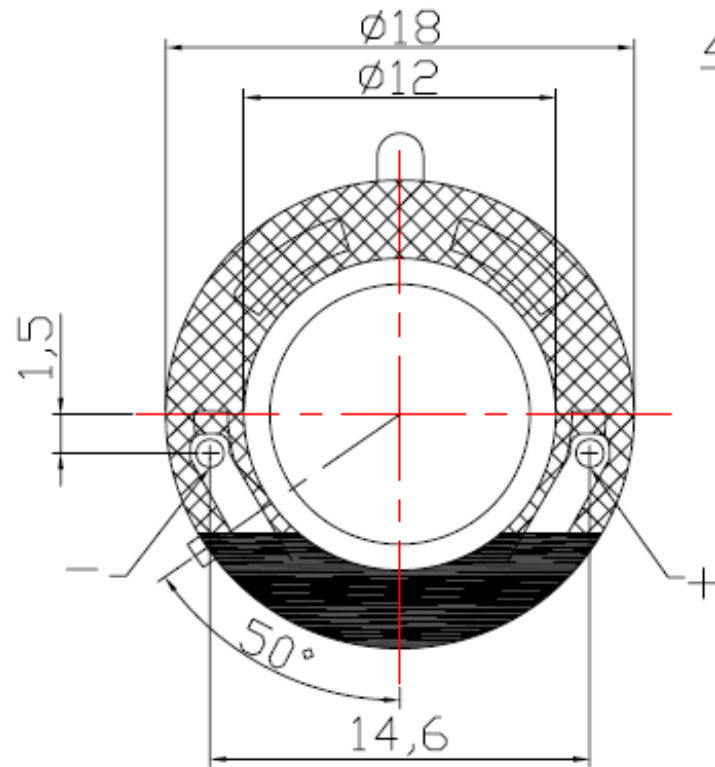
2

1

DWG NO. RM-1841SP-NL

RoHS COMPLIANT

REV	ECO NO.	DATE	BY	APP'D
A	REL TO PRODUCTION PER ECO 001	12/11/06	KL	
B	ADD STICKER PER ECO 002	5/13/11	KL	



Tolerance ±0.3mm

UNIT: mm

SPECIFICATION:

Rated Impedance	8 Ohms ±15%
Rated Power	0.8W Max. 1.0W
Resonant Frequency	720Hz ±20%
Effective Freq. Range	640~17K Hz
SPL (at 0.5w, 0.1m)	96±3 dB
Operating Temperature	-20°C~+70°C
Storage Temperature	-40°C~+80°C

CONFIDENTIAL

© Copyright 2006 Regal Electronics, Inc. This drawing is the property of Regal Electronics and contains confidential information, trade secret information and/or know-how which is the property of Regal Electronics. By accepting this drawing, the recipient agrees not to provide, or otherwise make available, the drawing or any information or know-how embodied therein, to any third party without prior written authorization.



DRAWN: KIM	DATE 12/11/06	TITLE: MICRO SPEAKER WITH SPRING CONTACTS	
CHECKED:	DATE		
ENGINEER:	DATE		
APPROVED:	DATE		
APPROVED:	DATE	SIZE B	DRAWING NO. RM-1841SP-NL
APPROVED:	DATE	SCALE: NONE	REV B
		SHEET 1 OF 1	

5

4

3

2

1

C-RM-1841SP-NL

A