

5

4

3

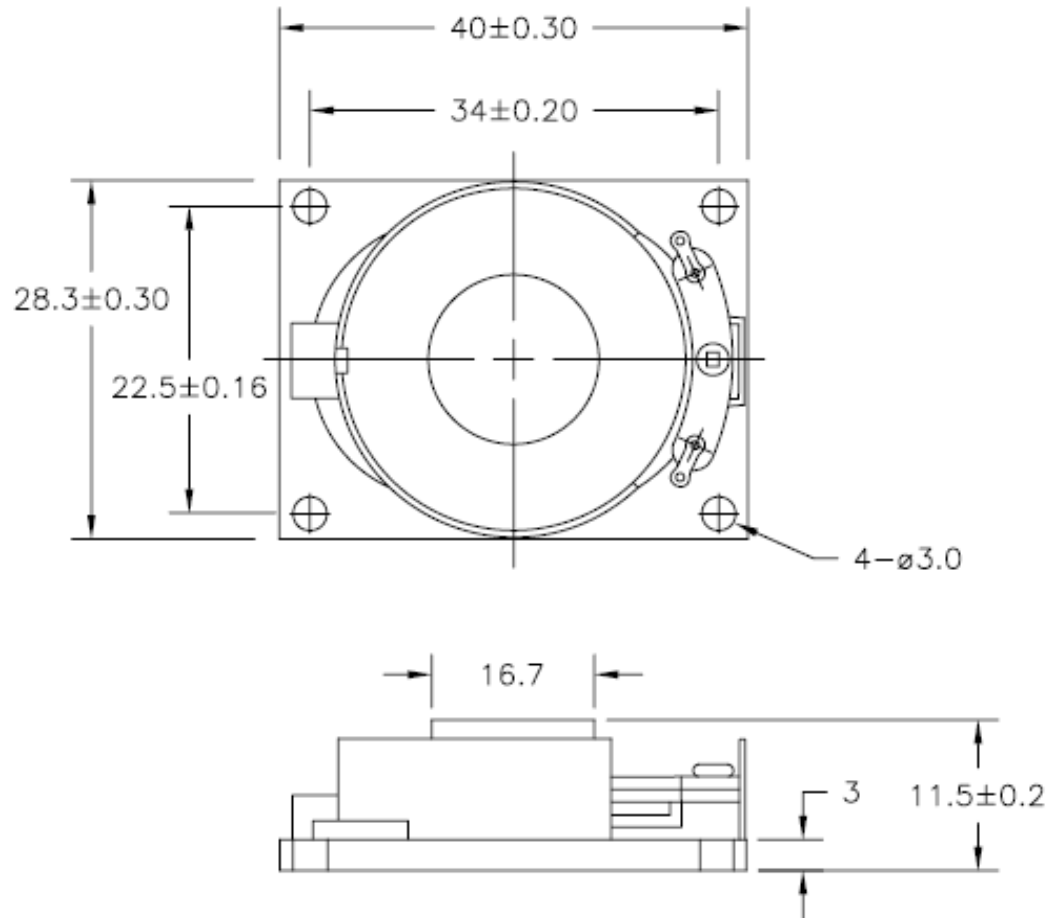
2

1

DWG NO. RHO-3040-ENL

RoHS COMPLIANT

REV	ECO NO.	DATE	BY	APP'D
A	REL TO PRODUCTION PER ECO 001	6/1/11	KL	



Tolerance ±0.3mm UNIT: mm

SPECIFICATION:

Rated Impedance	8 Ohms ±15%
Rated Power	3W Max. 4W
Resonant Frequency	400Hz ±20%
Effective Freq. Range	200~20K Hz
SPL (at 1w, 1m)	80±3 dB
Operating Temperature	-25°C~+70°C
Storage Temperature	-25°C~+70°C

CONFIDENTIAL

© Copyright 2011 Regal Electronics, Inc. This drawing is the property of Regal Electronics and contains confidential information, trade secret information and/or know-how which is the property of Regal Electronics. By accepting this drawing, the recipient agrees not to provide, or otherwise make available, the drawing or any information or know-how embodied therein, to any third party without prior written authorization.



DRAWN: KIM	DATE 6/1/11	TITLE: OVAL SPEAKER	
CHECKED:	DATE		
ENGINEER:	DATE		
APPROVED:	DATE		
APPROVED:	DATE	SIZE B	DRAWING NO. RHO-3040-ENL
APPROVED:	DATE	SCALE: NONE	REV A
		SHEET 1 OF 1	

5

4

3

2

1

C-RHO-3040-ENL