

5

4

3

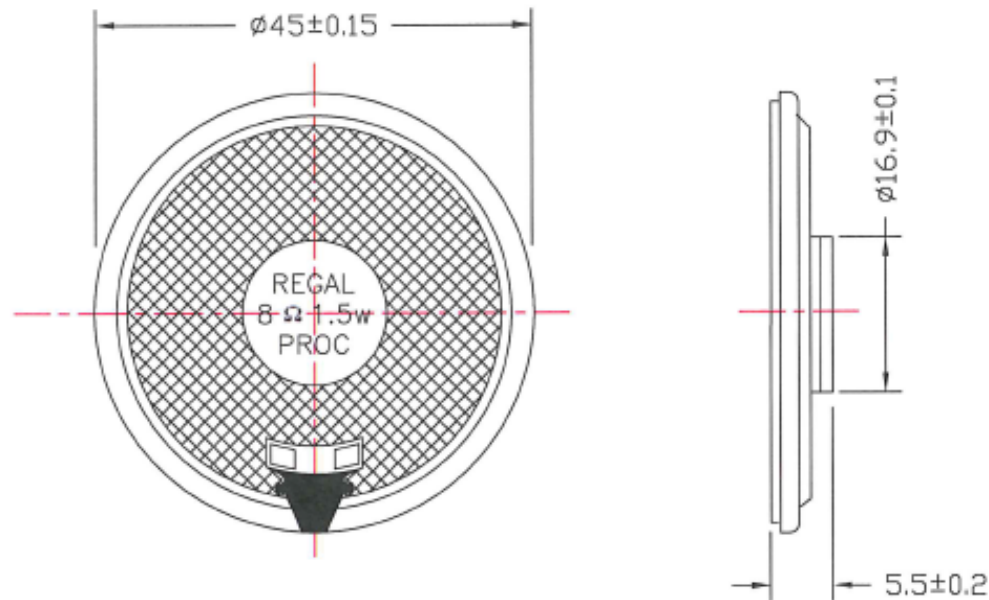
2

1

DWG NO. RHL-45-ENL

RoHS COMPLIANT

REV	ECO NO.	DATE	BY	APP'D
A	REL TO PRODUCTION PER ECO 001	9/14/11	KL	



Tolerance ±0.5mm UNIT: mm

SPECIFICATION:

Rated Impedance	8 Ohms ±15%
Rated Power	1.5W Max. 2W
Resonant Frequency	450Hz ±20%
Effective Freq. Range	400~20K Hz
SPL (at 0.1w, 0.1m)	90±3 dB
Operating Temperature	-20°C~+60°C
Storage Temperature	-20°C~+60°C

CONFIDENTIAL

© Copyright 2011 Regal Electronics, Inc. This drawing is the property of Regal Electronics and contains confidential information, trade secret information and/or know-how which is the property of Regal Electronics. By accepting this drawing, the recipient agrees not to provide, or otherwise make available, the drawing or any information or know-how embodied therein, to any third party without prior written authorization.



DRAWN: KIM	DATE 9/14/11	TITLE: HIGH POWER MINIATURE SPEAKER LOW PROFILE	
CHECKED:	DATE		
ENGINEER:	DATE		
APPROVED:	DATE		
APPROVED:	DATE	SIZE B	DRAWING NO. RHL-45-ENL
APPROVED:	DATE	SCALE: NONE	REV A
		SHEET 1 OF 1	

5

4

3

2

1

CIRILLI-45-ENL