

5

4

3

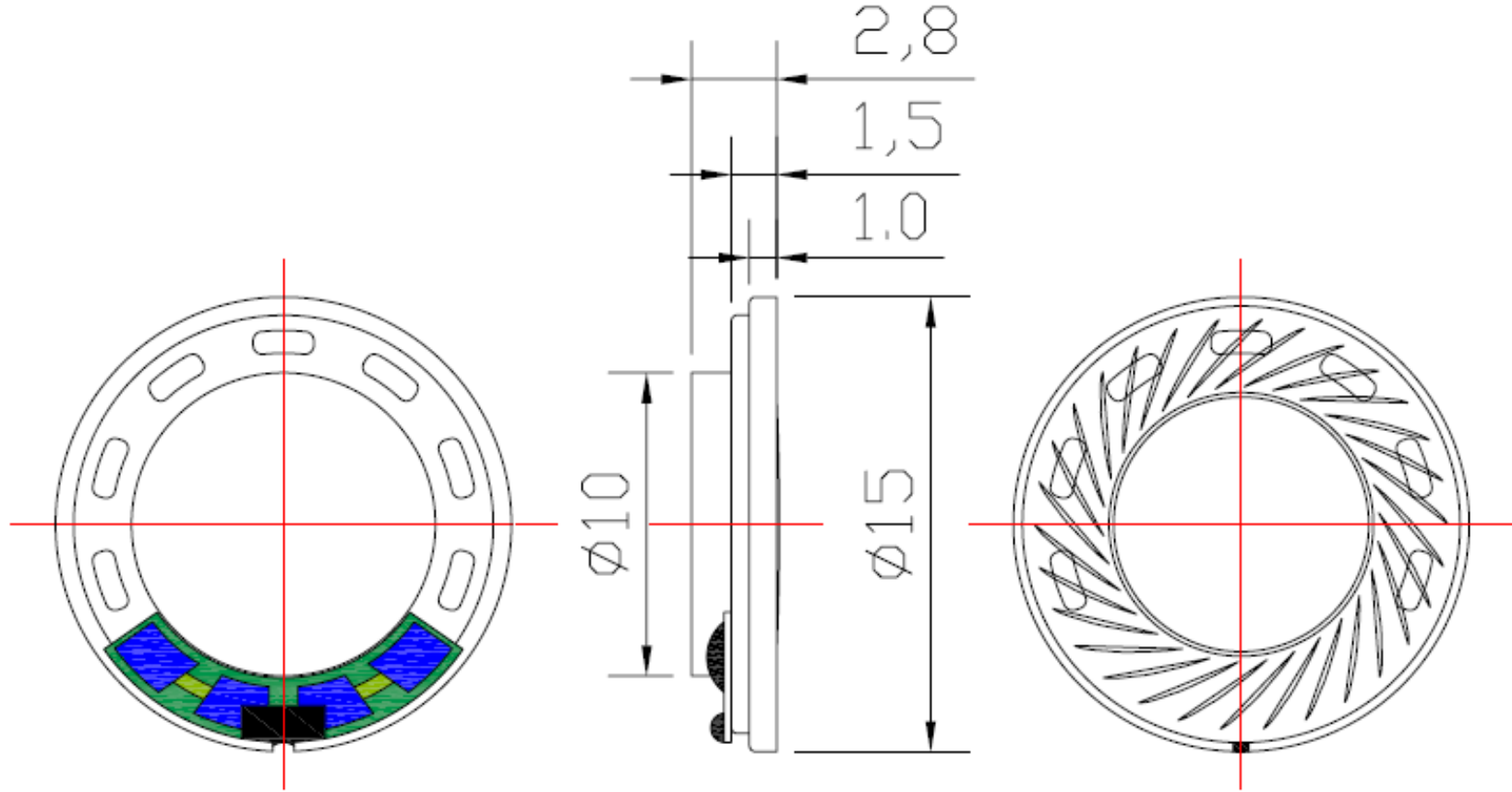
2

1

DWG NO. RHL-15-EMNL

RoHS COMPLIANT

REV	ECO NO.	DATE	BY	APP'D
A	REL TO PRODUCTION PER ECO 001	6/06/11	KL	



Tolerance ±0.3mm UNIT: mm

SPECIFICATION:

Rated Impedance	8 Ohms ±15%
Rated Power	0.3W Max. 0.5W
Resonant Frequency	1040Hz ±20%
Effective Freq. Range	600~10K Hz
SPL (at 0.1w, 0.5m)	88±3 dB
Operating Temperature	-20°C~+50°C
Storage Temperature	-25°C~+60°C

CONFIDENTIAL



© Copyright 2011 Regal Electronics, Inc. This drawing is the property of Regal Electronics and contains confidential information, trade secret information and/or know-how which is the property of Regal Electronics. By accepting this drawing, the recipient agrees not to provide, or otherwise make available, the drawing or any information or know-how embodied therein, to any third party without prior written authorization.

DRAWN: KIM	DATE 6/06/11	TITLE: HIGH POWER MINIATURE SPEAKER LOW PROFILE	
CHECKED:	DATE		
ENGINEER:	DATE		
APPROVED:	DATE		
APPROVED:	DATE	SIZE B	DRAWING NO. RHL-15-EMNL
APPROVED:	DATE	SCALE: NONE	REV A
		SHEET 1 OF 1	

5

4

3

2

1

C-RHL-15-EMNL

A