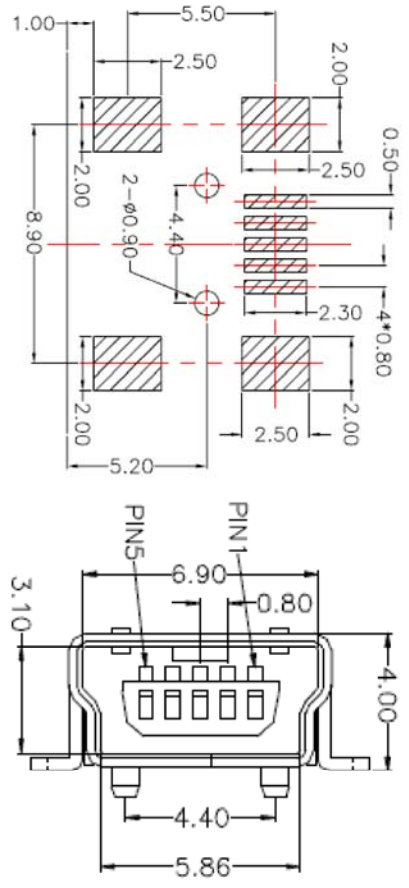
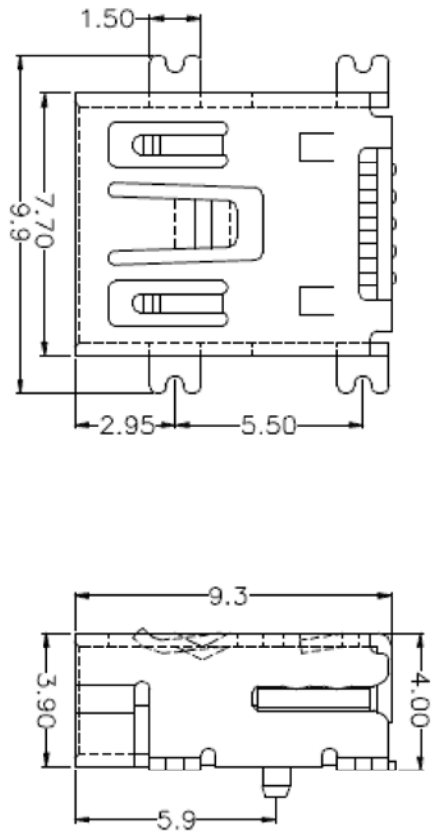


ROHS COMPLIANT

REV	ECO NO.	DATE	BY	APP'D
A	REL TO PRODUCTION PER ECO 001	11/6/08	KL	



Tolerance	±0.2
.xx	±0.1
.xxx	±0.1
ang.	±2°

UNIT: mm

CONFIDENTIAL



<p>© Copyright 2008 Regal Electronics, Inc. This drawing is the property of Regal Electronics and contains confidential information, trade secret information and/or know-how which is the property of Regal Electronics. By accepting this drawing, the recipient agrees not to provide, or otherwise make available, the drawing or any information or know-how embodied therein, to any third party without prior written authorization.</p>		<p><b>REGAL</b> ELECTRONICS INC.</p>	<p>TITLE: MINI USB 5PF SMT TYPE B</p>
DRAWN: KIM	DATE 11/6/08	SIZE B	DRAWING NO. R91-5PF-SMT-B
CHECKED:	DATE	SCALE: NONE	SHEET 1 of 1
ENGINEER:	DATE		
APPROVED:	DATE		
APPROVED:	DATE		
APPROVED:	DATE		

Specifications:

Electrical:

Contact Resistance: 50 Milliohms Max.  
Dielectric Withstanding Voltage: 100V<sub>ac</sub>  
Insulation Resistance: 100 Megohms Min.

Material:

Housing: High Temperature Thermoplastics,  
UL 94V-0

Contact: Copper Alloy

Shell: Copper Alloy

Finish:

Contact: Gold Flash Plated in Contact Area  
Tin on Solder Tail

Shell: Nickel Plated

PC BOARD LAYOUT

5 4 3 2 1

5 4 3 2 1