

5

4

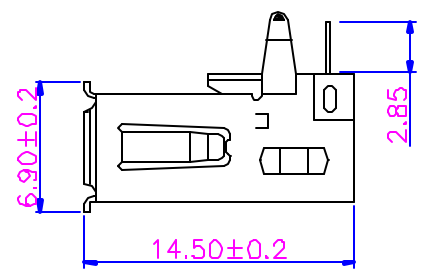
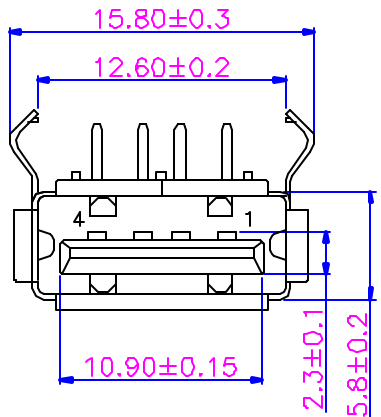
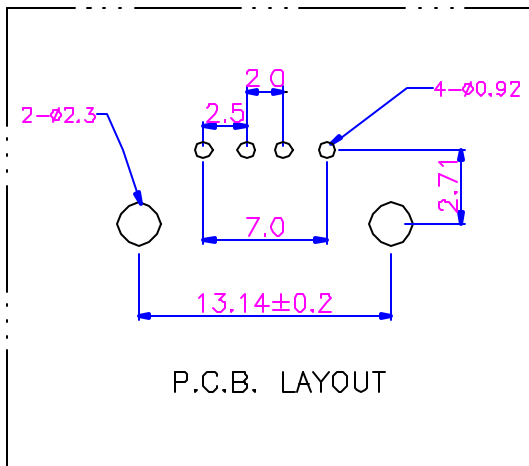
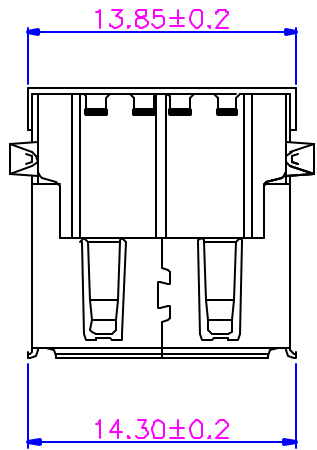
3

2

1

DWG NO. R90S-A

REV	ECO NO.	DATE	BY	APP'D
A	REL TO PRODUCTION PER ECO 001	1/30/06	KL	



ELECTRICAL CHARACTERISTICS:

CONTACT CURRENT RATING: 1 AMPERES
 DIELECTRIC WITHSTANDING VOLTAGE: AC 500V R.M.S
 INSULATION RESISTANCE 500 MEGOHMS MINIMUM AT DC 500V.
 CONTACT RESISTANCE: 30 MILLIOHMS MAXIMUM.
 OPERATING TEMPERATURE: -55°C TO +105°C

MECHANICAL CHARACTERISTICS:

CONTACT INSERTION FORCE: KG MAXIMUM.
 CONTACT SEPARATION FORCE: KG MINIMUM

MATERIALS:

CONTACT: BRASS OR PHOSPHOR BRONZE.
 INSULATOR P.B.T UL 94-V0 RATED.
 SHELL: BRASS.

FINISHES:

CONTACTS: GOLD FLASHED
 SHELL: TIN, NICKEL.

Tolerance	
x	± 0.35
.xx	± 0.25

UNIT: mm

CONFIDENTIAL



NOTE:
 This component and all homogeneous subcomponents are RoHS compliant

© Copyright 2006 Regal Electronics, Inc. This drawing is the property of Regal Electronics and contains confidential information, trade secret information and/or know-how which is the property of Regal Electronics. By accepting this drawing, the recipient agrees not to provide, or otherwise make available, the drawing or any information or know-how embodied therein, to any third party without prior written authorization.

DRAWN: KIM	DATE: 1/30/06	TITLE: USB TYPE 90° Connector	
CHECKED:	DATE:	SIZE: B	DRAWING NO: R90S-A
ENGINEER:	DATE:	REV: A	
APPROVED:	DATE:	SCALE: NONE	SHEET 1 OF 1
APPROVED:	DATE:		
APPROVED:	DATE:		

5

4

3

2

1