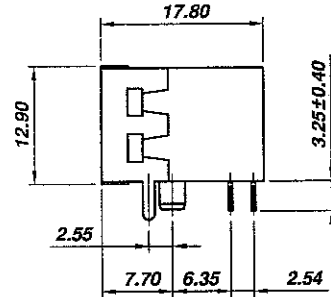
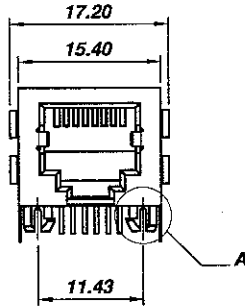


RoHS Compliant

REV	ECO NO.	DATE	BY	APP'D
A	REL TO PRODUCTION PER ECO 001	10/28/08	KL	
B	dimensions changed PER ECO 002	11/05/09	KL	



SPECIFICATION :

1. Electrical Char.

- Insulation Resistance : 500M-Ohm Min.
- Contact Resistance : 20milli-ohm Max.
- Rating Current : 1.5A Max.
- Rating Voltage : 120V AC.
- Delectric Voltage : 1,000 Vrms 60 Sec. Min.

2. Physical char.

Housing(Optional) :

- PBT Glass Filled (UL 94V-0),Soldering Temperature:235°C
- Nylon (UL 94V-0),Soldering Temperature:260°C

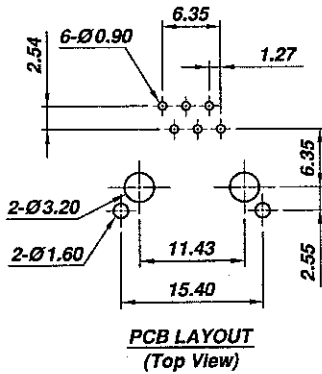
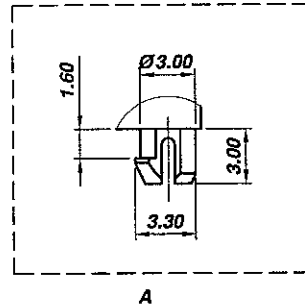
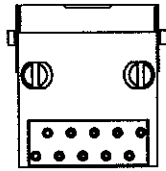
Color : Black Color

Spring Wire :

0.45mm Dia Phosphor Bronze Gold Plating Over Nickel

Temperature Range : -40°C/+85°C

Durability : 500 Mating cycles Min.



Tolerance: .xx ±0.25
.xxx ±0.13 UNIT: mm

CONFIDENTIAL



© Copyright 2009 Regal Electronics, Inc. This drawing is the property of Regal Electronics and contains confidential information, trade secret information and/or know-how which is the property of Regal Electronics. By accepting this drawing, the recipient agrees not to provide, or otherwise make available, the drawing or any information or know-how embodied therein, to any third party without prior written authorization.

DRAWN: KIM	DATE: 10/28/08	TITLE:
CHECKED:	DATE:	R543-2/4/6-SS PINs
ENGINEER:	DATE:	
APPROVED:	DATE:	
APPROVED:	DATE:	
APPROVED:	DATE:	
SIZE: B	DRAWING NO. R543-6-SS	REV: B
SCALE: NONE	SHEET 1 OF 1	