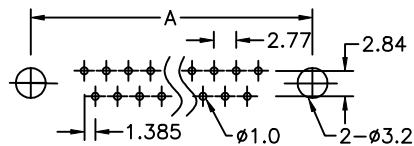
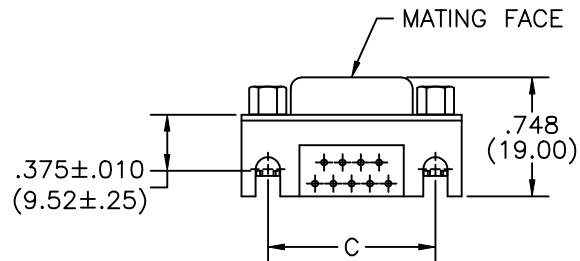
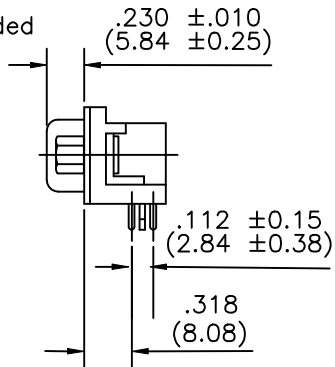
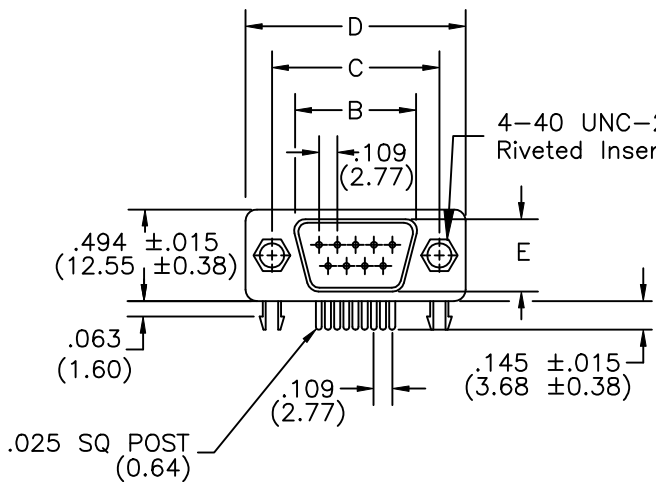


R4400 SERIES

DWG NO. R4400-SERIES

REV	ECO NO.	DATE	BY	APP'D
A	REL TO PRODUCTION PER ECO 001	12/08/05	KL	WEK



PCB RECOMMENDED LAYOUT
(BOTTOM VIEW) Tolerance ±0.05

ELECTRICAL:

- .Current rating: 5 AMP maximum
 - .Insulation resistance: 1000 Megohms minimum
 - .Contact resistance: 15 MilliOhms maximum
 - .Dielectric withstanding voltage: 1000 VAC
 - .Operating temperature: -55°C to +105°C
- MATERIALS:
- .Housing: PBT, UL94V-0
 - .Contacts: Phosphor Bronze, Gold/Tin Plated
 - .Shield : Steel, Tin plated

DIMENSION CHART		
MODEL	C ± .015(0.38)	D ± .015(0.38)
R4400-09F	.984	1.216
R4400-09M	(24.99)	(30.89)
R4400-15F	1.312	1.539
R4400-15M	(33.32)	(39.10)
R4400-25F	1.852	2.090
R4400-25M	(47.04)	(53.09)

	B ± .010(0.25)	E ± .010(0.25)
MALE	.665 (16.90)	.329 (8.29)
FEMALE	.642 (16.30)	.311 (7.90)

POSITION	A
9P	25.00
15P	33.00
25P	47.10

Tolerance	
.x	±0.35
.xx	±0.25

UNIT: mm

NOTE:
This component is RoHS compliant

© Copyright 2006 Regal Electronics, Inc. This drawing is the property of Regal Electronics and contains confidential information, trade secret information and/or know-how which is the property of Regal Electronics. By accepting this drawing, the recipient agrees not to provide, or otherwise make available, the drawing or any information or know-how embodied therein, to any third party without prior written authorization.

REGAL
ELECTRONICS, INC.

DRAWN: KIM	DATE: 12/08/05	TITLE: D-SUBMINIATURE FILTERED CONNECTORS
CHECKED:	DATE:	
ENGINEER:	DATE:	
APPROVED:	DATE:	
APPROVED:	DATE:	
APPROVED:	DATE:	

SIZE: B	DRAWING NO. R4400-SERIES	REV: A
SCALE: NONE	SHEET 1 OF 1	

C-R4400-SERIES