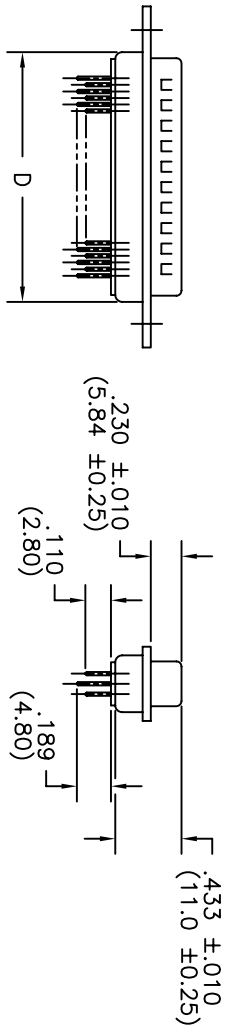
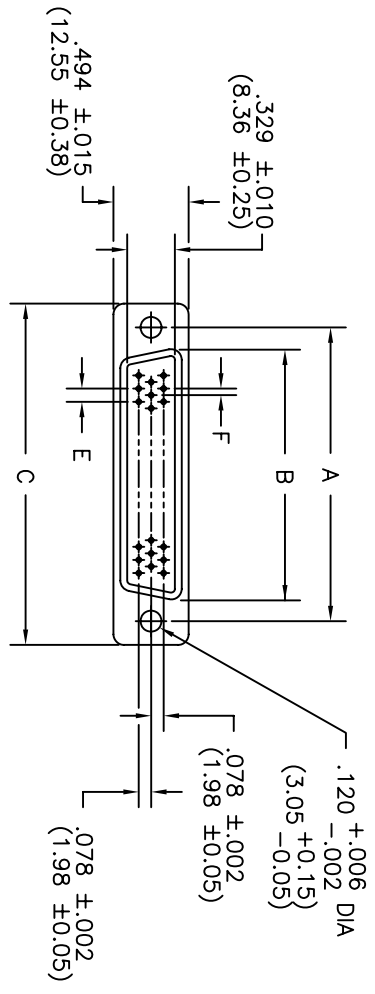


ROHS COMPLIANT

REV	ECO NO.	DATE	BY	APP'D
A	REL TO PRODUCTION PER ECO 001	7/06/12	KL	

DWG No. R4107-series



ELECTRICAL:
 CURRENT RATING: 5 AMP
 DIELECTRIC WITHSTANDING VOLTAGE: AC 1000V MIN (FOR 1 MINUTE)
 INSULATION RESISTANCE: 5000 MΩ MIN (AT 500V DC)
 CONTACT RESISTANCE: 15 MΩ MAX MATED
 WORKING TEMPERATURE: -55°C TO + 105°C

MECHANICAL:
 INSULATOR MATERIAL: P.B.T. AND GLASS FIBER (UL94V-0)
 CONTACT MATERIAL: PLUG, BRASS; GOLD OVER
 NICKEL IN CONTACT AREA
 SHELL MATERIAL: STEEL, TIN OR ZINC PLATED
 DURABILITY: 200 CYCLES
 MATING AND UNMATING FORCE:
 CONTACT NUMBERS 15 26 44 62 78
 MATING FORCE (KGF MAX) 4.6 7.7 12.7 17.7 22.2
 UNMATING FORCE (KGF MIN) 0.4 0.5 0.8 1.2 1.5

- (High density 3-4 rows)
- 4107 - (contacts)
- Male

Contacts: 15, 26, 44, 62, 78

CONFIDENTIAL

NO. OF POS.	A	B	C	D	E	F
15	.984 (24.99)	.666 (16.92)	1.216 (30.89)	.759 (19.28)	.090 (2.29)	.045 (1.14)
26	1.312 (33.52)	.994 (25.25)	1.539 (39.10)	1.083 (27.51)	.090 (2.29)	.045 (1.14)
44	1.852 (47.04)	1.534 (38.96)	2.090 (53.09)	1.625 (41.50)	.090 (2.29)	.045 (1.14)
62	2.500 (63.50)	2.181 (55.42)	2.732 (69.40)	2.272 (57.71)	.095 (2.41)	.047 (1.20)
78	2.41 (61.11)	2.08 (52.81)	2.64 (66.93)	2.18 (55.32)	.095 (2.41)	.047 (1.20)

© Copyright 2014 Regal Electronics, Inc.
 This drawing is the property of Regal Electronics and contains confidential information, trade secret information and/or know-how which is the property of Regal Electronics. By accepting this drawing, the recipient agrees not to provide, or otherwise make available, the drawing or any information or know-how embodied therein, to any third party without prior written authorization.

REGAL ELECTRONICS/INC.

TITLE: D-Subminiature Solder Cup High Density

SIZE: B DRAWING NO. R4107-series

SCALE: NONE

DRAWN: KIM	DATE: 7/06/12
CHECKED:	DATE:
ENGINEER:	DATE:
APPROVED:	DATE:
APPROVED:	DATE:
APPROVED:	DATE:

Tolerance	±0.25
.xxx	±0.13
.xxx	±1°

UNIT: inch(mm)

5 4 3 2 1

A B C D A B C D A