

5

4

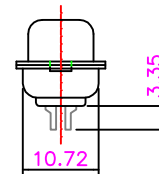
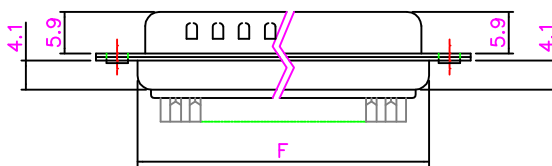
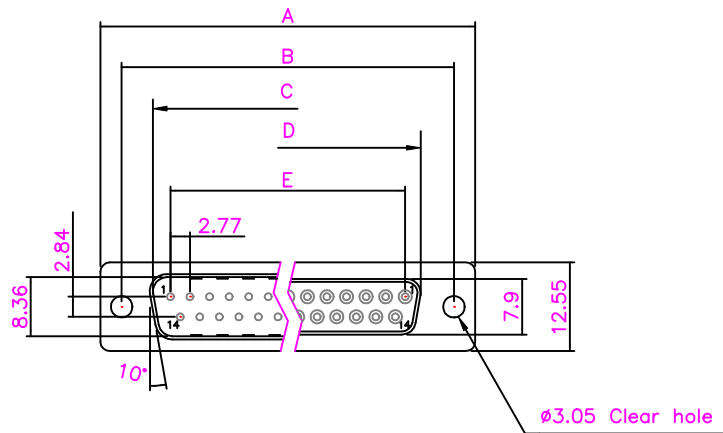
3

2

1

DWG NO. R4007/R4008

REV	ECO NO.	DATE	BY	APP'D
A	REL TO PRODUCTION PER ECO ECO	1/4/06	KL	



## Product Specification

### Material

**Insulator** : Glass-Filled PBT, UL94V-0

**Shell** : Steel, tin plated

**Contact** : Socket-Phosphor Bronze

Pin-Brass

Plated gold in mating area over nickel underplate

Operating temperature: -55°C-105°C

### Electrical

**Contact Resistance** : 15 milliohms Max.

**Insulation Resistance** : 1000 megohms at 500 VDC

**Dielectric Withstanding Voltage** : 1000 VAC for 1 minute

**Current Rating** : 3 AMP

**Volatge Rating** : 250 VAC/rms

### Dimensions

Positions	A	B	C	D	E	F
9	30.81	24.99	16.92	16.33	11.08	19.20
15	39.14	33.32	25.50	24.66	19.39	27.70
25	53.04	47.04	38.96	38.38	33.24	41.10
37	69.32	63.50	55.42	54.84	49.86	57.30

Tolerance	
.x	±0.35
.xx	±0.25

UNIT: mm

CONFIDENTIAL

NOTE:  
This component and all homogeneous subcomponents are RoHS compliant

© Copyright 2006 Regal Electronics, Inc. This drawing is the property of Regal Electronics and contains confidential information, trade secret information and/or know-how which is the property of Regal Electronics. By accepting this drawing, the recipient agrees not to provide, or otherwise make available, the drawing or any information or know-how embodied therein, to any third party without prior written authorization.

DRAWN: KIM	DATE: 1/4/06
CHECKED:	DATE:
ENGINEER:	DATE:
APPROVED:	DATE:
APPROVED:	DATE:
APPROVED:	DATE:

TITLE:  
D-Subminiature  
Standard Size  
Connector

SIZE: B	DRAWING NO. R4007/R4008	REV: A
SCALE: NONE	SHEET 1 OF 1	

5

4

3

2

1

C-R4007/R4008

A