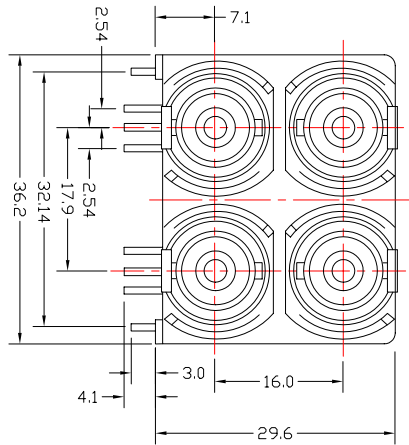
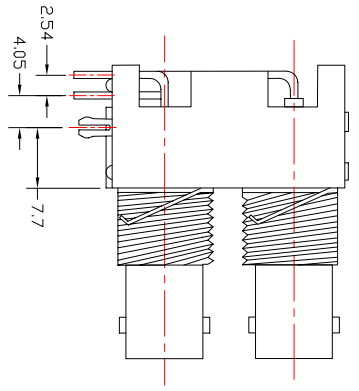
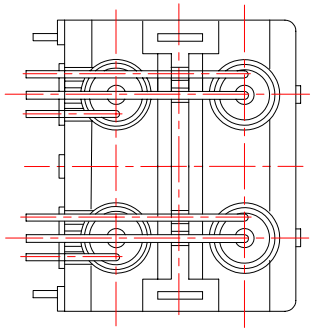
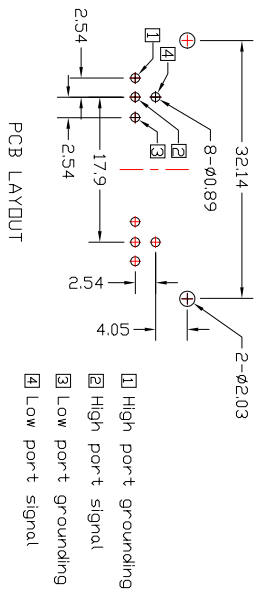
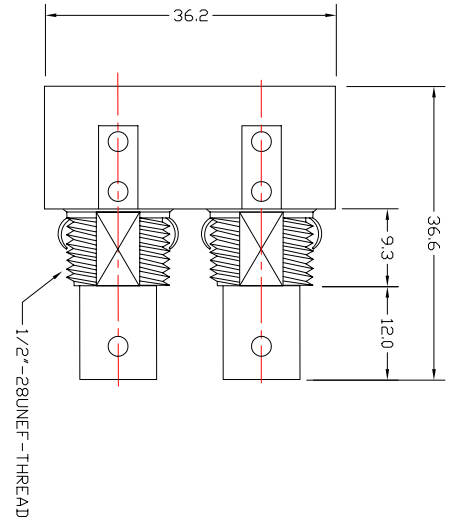
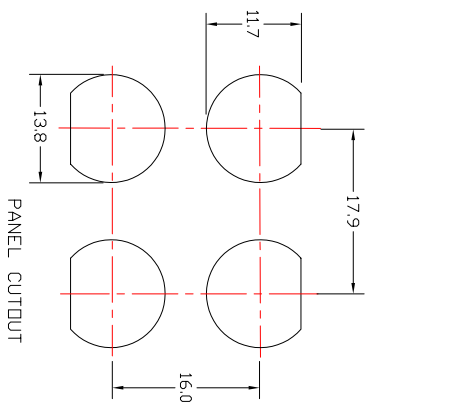


ROHS COMPLIANT



|           |      |
|-----------|------|
| Tolerance |      |
| .x        | ±0.2 |
| .xx       | ±0.1 |
| ang.      | ±2°  |

UNIT: mm

Notes: (Unless otherwise specified)  
 Housing: PBT with Glass Fiber  
 Conn. Body: Nickel Plating over Zinc Alloy  
 Center Contact: Phosphorus Bronze with Gold Plating at Contact Area. Tin Plating at Tail, Nickel Plating Overall  
 Insulator: Polypropylene UL 94HB  
 Grounding Terminal: Tin Plating over Copper Wire  
 Mounting Hook: Tin plating over Brass  
 Ceramic Chip Capacitor: 4700 pF±10%  
 Dimensions in Millimeters  
 Impedance: 75 ohms  
 Frequency Range: 0-1 GHz  
 Operating Voltage: 500 Volts RMS  
 Contact Resistance: 3.0 Milliohms MAX  
 Dielectric Withstanding Voltage: 1500 Volts RMS  
 Insulation Resistance: 5000 Megohms MIN

CONFIDENTIAL

© Copyright 2009 Regal Electronics, Inc.  
 This drawing is the property of Regal Electronics and contains confidential information, trade secret information and/or know-how which is the property of Regal Electronics. By accepting this drawing, the recipient agrees not to provide, or otherwise make available, the drawing or any information or know-how embodied therein, to any third party without prior written authorization.

|             |               |  |
|-------------|---------------|--|
| DRAWN: KIM  | DATE: 10/8/09 | TITLE: 2x2 Port Plastic BNC R/A Connector w/ Capacitor |
| CHECKED:    | DATE:         |  |
| ENGINEER:   | DATE:         |  |
| APPROVED:   | DATE:         |  |
| APPROVED:   | DATE:         |  |
| APPROVED:   | DATE:         |  |
| SCALE: NONE | SIZE: NONE    | DRAWING NO. BNC31204F-HW-75R                           |
|             |               | REV: A   |

|     |                               |         |    |       |
|-----|-------------------------------|---------|----|-------|
| REV | ECO NO.                       | DATE    | BY | APP'D |
| A   | REL TO PRODUCTION PER ECO 001 | 10/8/09 | KL |       |

DWG NO. BNC31204F-HW-75R