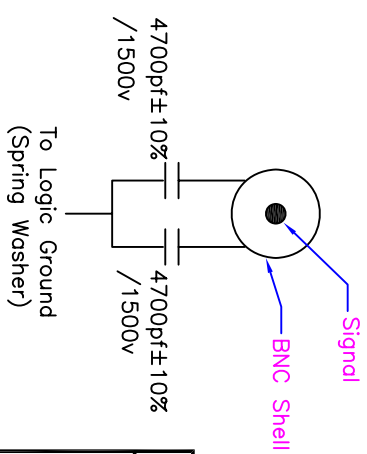
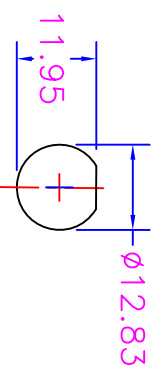
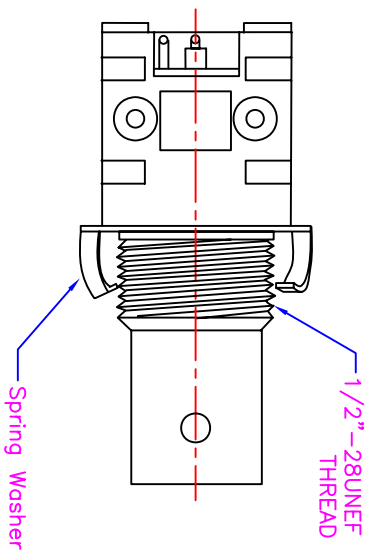
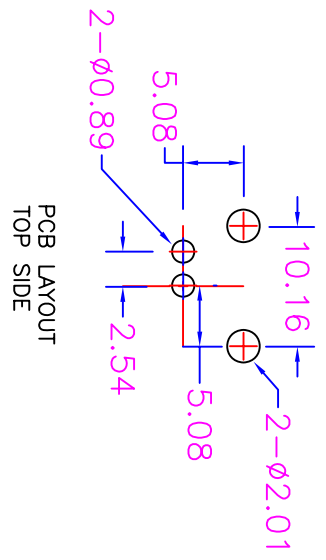
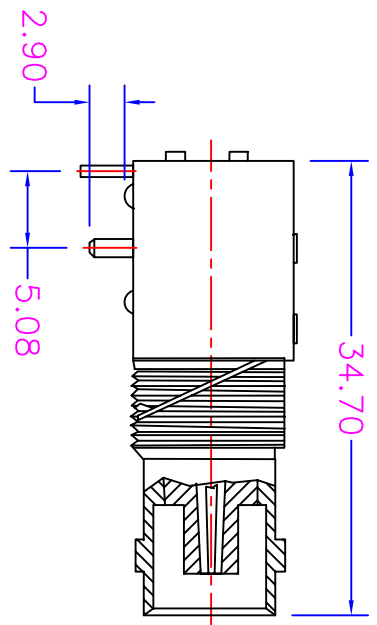
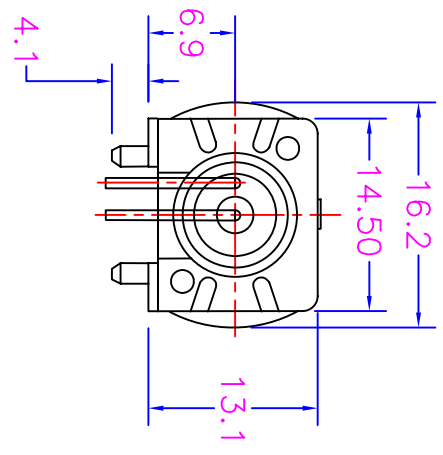


ROHS COMPLIANT



REV	ECO NO.	DATE	BY	APP'D
A	REL TO PRODUCTION PER ECO 001	9/07/06	KL	
B	Insulator material UL 94V-0 PER ECO 002	7/24/12	KL	

**SPECIFICATIONS**

**MECHANICAL:**  
 CONNECTOR SHELL: NICKEL PLATING OVER ZINC ALLOY  
 CENTER CONTACT: GOLD PLATING OVER PHOSPHOR BRONZE AT CONTACT AREA  
 INNER INSULATOR: POLYPROPYLENE UL 94V-0  
 HOUSING: PBT+30%GLASS FIBER (UL 94V-0)  
 MOUNTING POST: TIN PLATING OVER BRASS  
 GROUNDING TERMINAL: TIN PLATING OVER COPPER WIRE  
 RETAINION POST: NICKEL PLATING OVER BRASS  
 SPRING WASHER: NICKEL PLATING OVER BRASS  
 CERAMIC CHIP CAPACITOR: 4700PICO FARAD±10% ELECTRICAL

**ELECTRICAL:**  
 NORMAL IMPEDANCE: 50 OHMS  
 FREQUENCY RANGE: 0~1GHz  
 RETURN LOSS: -30dB Min./750MHz  
 OPERATING VOLTAGE: 500V<sub>RMS</sub>  
 DIELECTRIC WITHSTANDING VOLTAGE: 500 Vdc  
 INSULATION RESISTANCE: 5000 MegOHMS Min.  
 TEMPERATURE RANGE: -65°C - +165°C

Tol.: ±0.4mm UNIT: mm



**CONFIDENTIAL**

© Copyright 2012 Regal Electronics, Inc. This drawing is the property of Regal Electronics and contains confidential information, trade secret information and/or know-how which is the property of Regal Electronics. By accepting this drawing, the recipient agrees not to provide, or otherwise make available, the drawing or any information or know-how embodied therein, to any third party without prior written authorization.

DRAWN: KIM	DATE: 9/07/06	TITLE: RIGHT ANGLE PCB MOUNT BNC CONNECTOR with CAPACITOR
CHECKED:	DATE:	
ENGINEER:	DATE:	
APPROVED:	DATE:	
APPROVED:	DATE:	
APPROVED:	DATE:	

SIZE: B	DRAWING NO.: BNC31201FHBV50R	REV: B
SCALE: NONE	SHEET: 1 OF 1	

