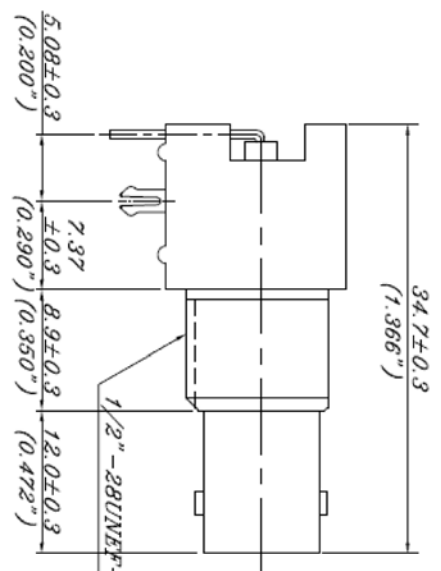
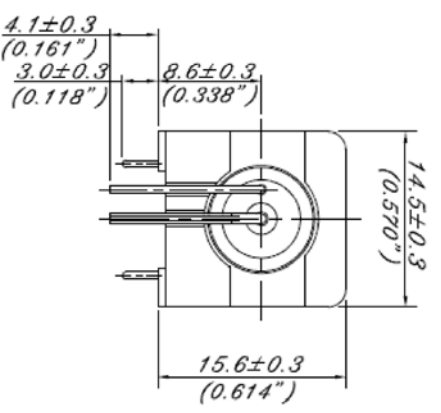
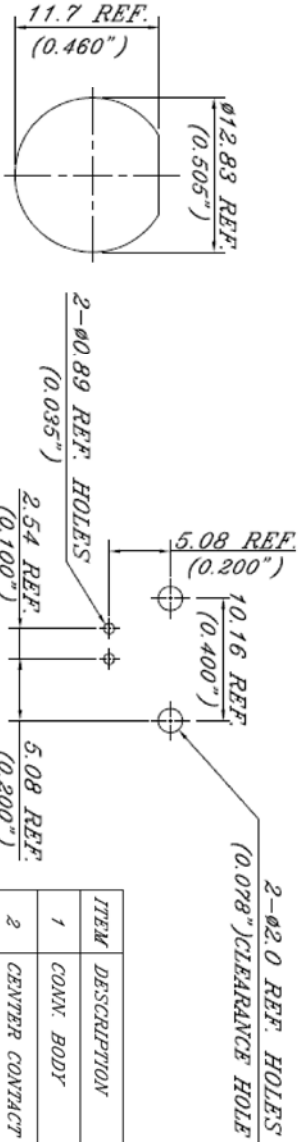


REV	ECO NO.	DATE	BY	APP'D
A	Lock washer material changed PER ECO 000	2/5/14	KL	



SPECIFICATIONS:
MECHANICAL CHARACTERISTICS:
 MATING/UNMATING--500 CYCLES
ELECTRICAL CHARACTERISTICS:
 NORMAL IMPEDANCE-- 75 OHMS
 FREQUENCY RANGE-- 0-1 GHz
 OPERATING VOLTAGE-- 500 VOLTS RMS
 CONTACT RESISTANCE-- 3.0 MILLIOHMS MAX.(GOLD)
 DIELECTRIC WITHSTANDING VOLTAGE-- 1500 VOLTS RMS
 INSULATION RESISTANCE-- 5000 MEGOHMS MIN.
ENVIRONMENTAL CHARACTERISTICS:
 TEMPERATURE RANGE-- -65°C TO 165°C



ITEM	DESCRIPTION	MATERIAL & TREATMENT
1	CONN. BODY	NICKEL PLATING OVER ZINC ALLOY.
2	CENTER CONTACT	PHOSPHORUS BRONZE WITH GOLD PLATING AT CONTACT AREA TIN PLATING AT TAIL.
3	INSULATOR	POLYPROPYLENE UL 94V-0
4	HOUSING	PBT+15%GF. UL 94V-0
5	MOUNTING HOOK	TIN PLATING OVER BRASS.
6	GROUNDING TERMINAL	TIN PLATING OVER STRIP COPPER.

CONFIDENTIAL



© Copyright 2014 Regal Electronics, Inc.
 This drawing is the property of Regal Electronics and contains confidential information, trade secret information and/or know-how which is the property of Regal Electronics. By accepting this drawing, the recipient agrees not to provide, or otherwise make available, the drawing or any information or know-how embodied therein, to any third party without prior written authorization.

DRAWN:	KIM	DATE:	2/5/14	TITLE:	BNC Right Angle Plastic Connector		
CHECKED:		DATE:		SIZE:	B	DRAWING NO.:	BNC31201-HW-75R
ENGINEER:		DATE:		SCALE:	NONE	SHEET:	1 OF 1
APPROVED:		DATE:		REV:	A		

UNIT: mm(inch)