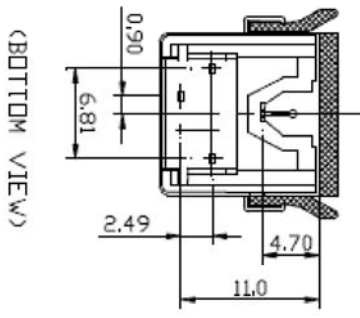
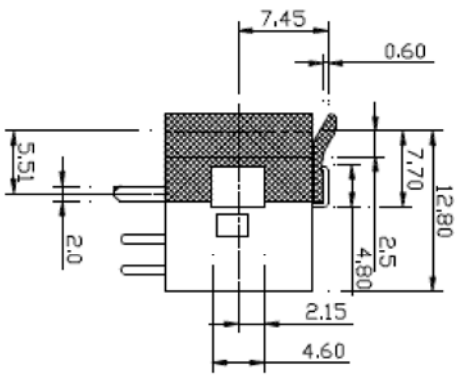
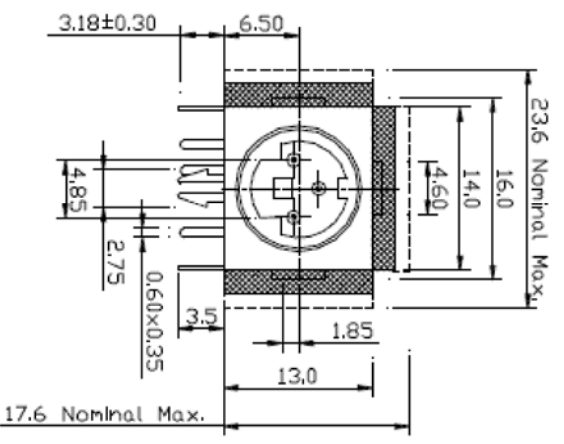
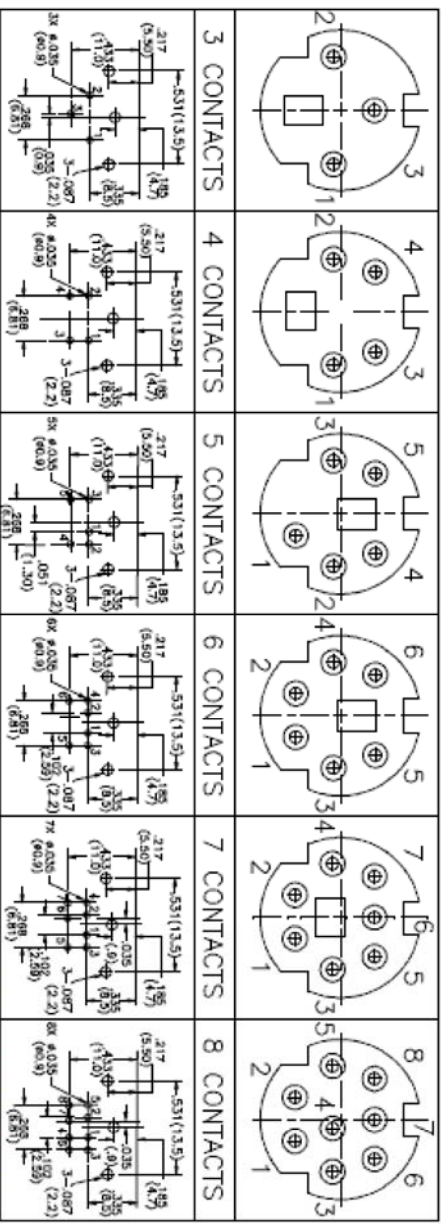


ROHS COMPLIANT



(BOTTOM VIEW)

- ELECTRICAL:**
- Current rating: 2 AMP maximum
 - Insulation resistance: 500 Megohms minimum
 - Contact resistance: 30 milliohms maximum
 - Dielectric withstanding voltage: 500 VAC
 - Operating temperatures: -55°C to +85°C
- MATERIALS:**
- Housing: UL94V-0 / HTN glass filled
 - Color: Black
 - Contacts: Phosphor bronze
 - Plating: 6µ" gold over nickel underplate
 - Shield: Plating nickel over brass.
 - P3: Shielded with conductive gasket



PCB LAYOUT BOTTOM VIEW

Tolerance	±0.25
.xxx	±0.13
ang.	±1°

UNIT: mm

CONFIDENTIAL



© Copyright 2012 Regal Electronics, Inc. This drawing is the property of Regal Electronics and contains confidential information, trade secret information and/or know-how which is the property of Regal Electronics. By accepting this drawing, the recipient agrees not to provide, or otherwise make available, the drawing or any information or know-how embodied therein, to any third party without prior written authorization.

DRAWN: KIM	DATE: 7/06/12	TITLE: MINI DIN WITH FULL SHIELD AND CONDUCTIVE GASKET
CHECKED:	DATE:	SIZE: B
ENGINEER:	DATE:	DRAWING NO: 5145P3-XR
APPROVED:	DATE:	SCALE: NONE
APPROVED:	DATE:	REV: A
APPROVED:	DATE:	SHEET 1 of 1

REV	ECO NO.	DATE	BY	APP'D
A	REL TO PRODUCTION PER ECO 001	7/06/12	KL	

DWG NO. 5145P3-XR