

5

4

3

2

1

DWG NO. R1001-8P8CR

RoHS Compliant

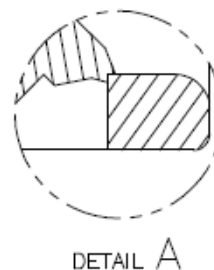
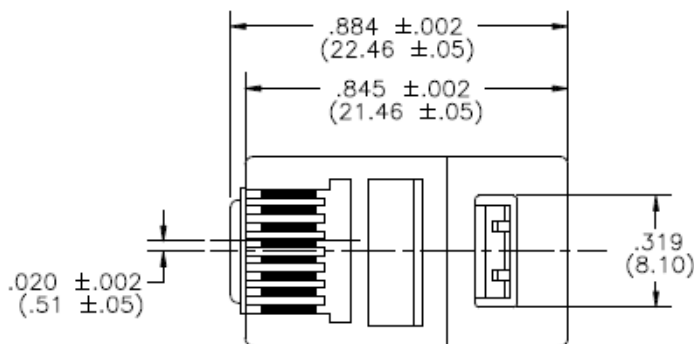
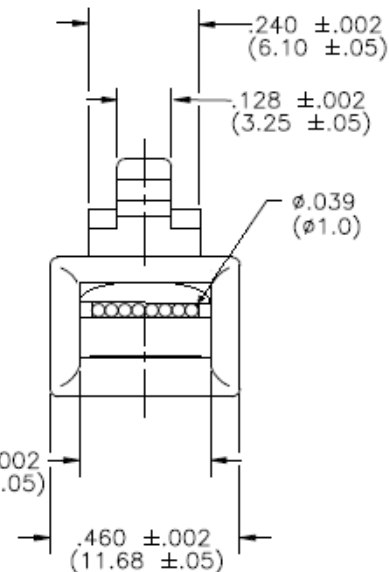
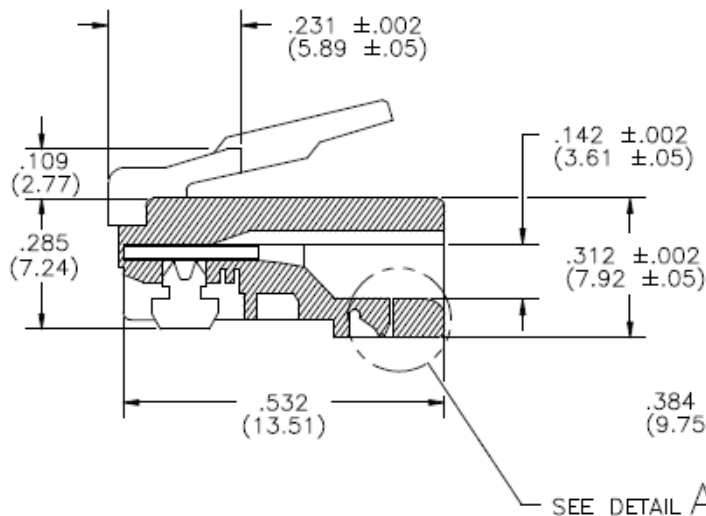
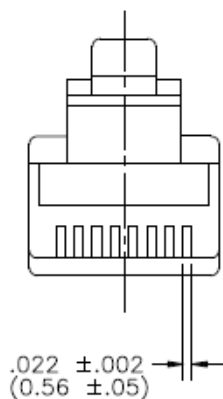
REV	ECO NO.	DATE	BY	APP'D
A	REL TO PRODUCTION PER ECO 001	4/26/06	KL	

D

C

B

A



1. TYPE OF MODULAR PLUG: 8P8C
2. ELECTRICAL:
DIELECTRIC WITH STANDING VOLTAGE 500 VOLTS AC
INSULATION RESISTANCE: 500 MEGOHMS TERMINAL
RESISTANCE: 35 MILLIOHMS MAX. AFTER ENVIRONMENTAL TEST
RATED 250 VOLTS AC MAX. AT 2 AMPS.
3. MATERIAL & FINISH:
PLASTIC HOUSING: POLYCARBONATE (PC)
CONTACT BLADE:
(1) HIGH STRENGTH COPPER ALLOY JIS 059198-1
(2) 50 MICRO INCHES GOLD OVER 100 MICRO INCHES NICKEL PLATE
4. DURABILITY: 1,000 MATING CYCLES
5. ACCEPTS 24 & 26 AWG WIRE

UNIT: mm

CONFIDENTIAL



© Copyright 2006 Regal Electronics, Inc. This drawing is the property of Regal Electronics and contains confidential information, trade secret information and/or know-how which is the property of Regal Electronics. By accepting this drawing, the recipient agrees not to provide, or otherwise make available, the drawing or any information or know-how embodied therein, to any third party without prior written authorization.

DRAWN:	KIM	DATE:	4/26/06
CHECKED:		DATE:	
ENGINEER:		DATE:	
APPROVED:		DATE:	
APPROVED:		DATE:	
APPROVED:		DATE:	

TITLE		
MODULAR PLUG		
SIZE	DRAWING NO.	REV
B	R1001-8P8CR	A
SCALE	SHEET 1 OF 1	
NONE		

5

4

3

2

1

C-R1001-8P8CR

A