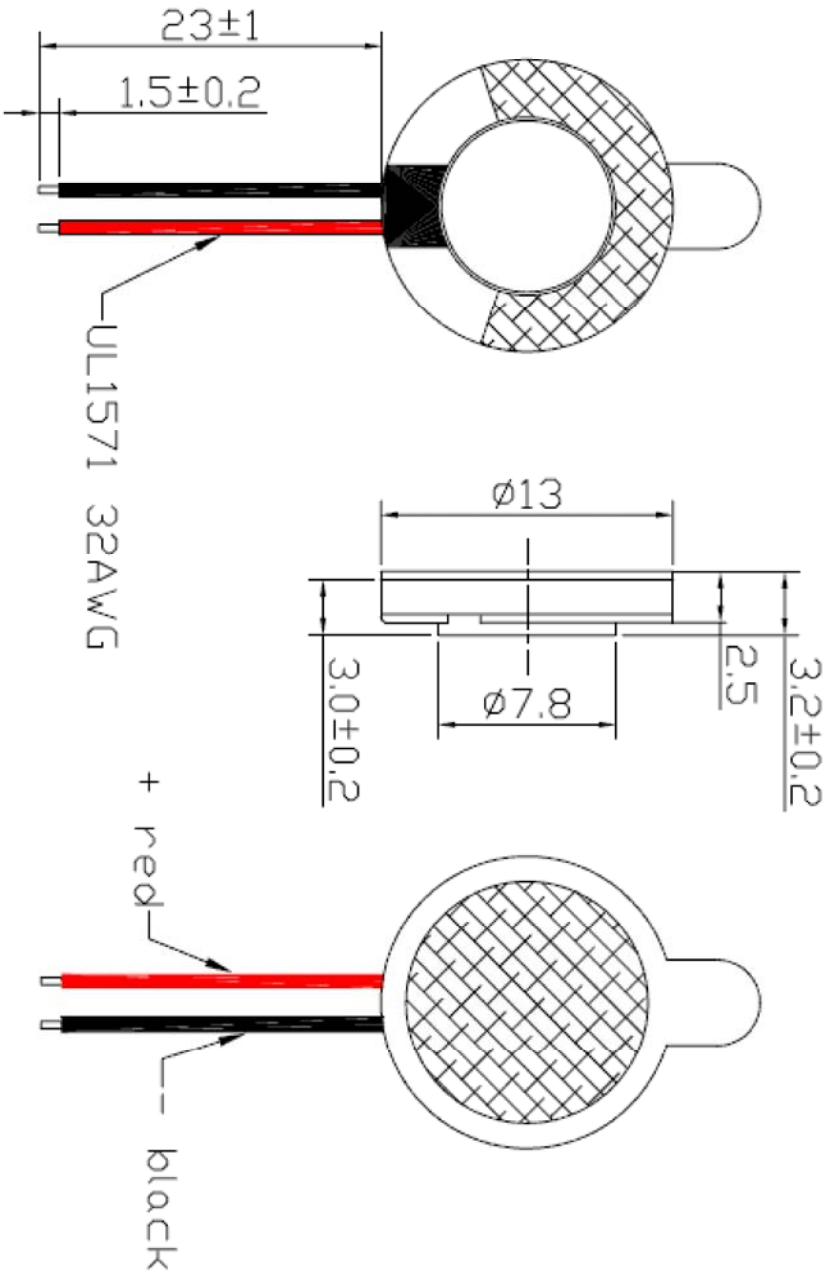


ROHS COMPLIANT

REV	ECO NO.	DATE	BY	APP'D
A	REL TO PRODUCTION PER ECO 001	12/11/06	KL	

DWG NO. RM-1332-NL



Tolerance ±0.3mm UNIT: mm

CONFIDENTIAL



MICRO SPEAKER

SPECIFICATION:

Rated Impedance	8 Ohms ±15%
Rated Power	0.5W Max. 0.8W
Resonant Frequency	1100Hz ±20%
Effective Freq. Range	670~20K Hz
SPL (at 0.3w, 0.1m)	90±3 dB
Operating Temperature	-20°C~+80°C
Storage Temperature	-40°C~+80°C

© Copyright 2006 Regal Electronics, Inc. This drawing is the property of Regal Electronics and contains confidential information, trade secret information and/or know-how which is the property of Regal Electronics. By accepting this drawing, the recipient agrees not to provide, or otherwise make available, the drawing or any information or know-how embodied therein, to any third party without prior written authorization.

DRAWN: KIM	DATE: 12/11/06	TITLE: MICRO SPEAKER
CHECKED:	DATE:	SIZE: B
ENGINEER:	DATE:	DRAWING NO. RM-1332-NL
APPROVED:	DATE:	SCALE: NONE
APPROVED:	DATE:	SHEET 1 of 1
APPROVED:	DATE:	REV A

C-RM-1332-NL